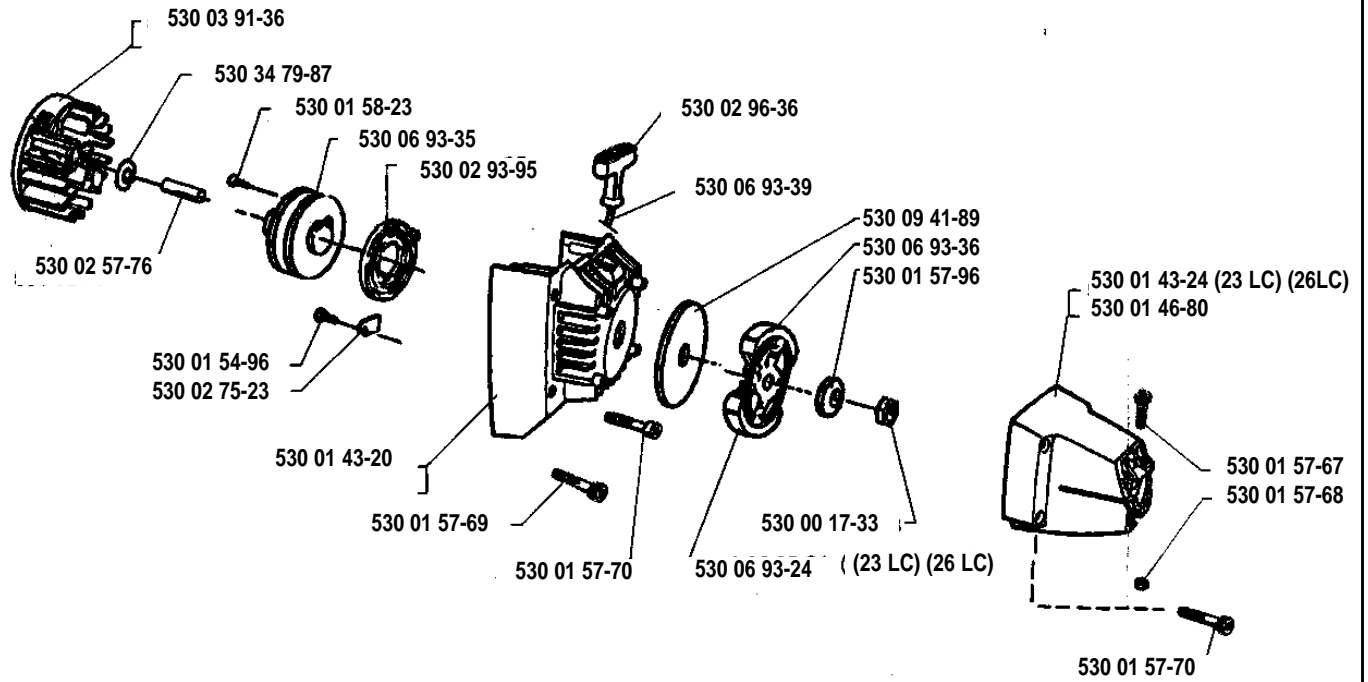
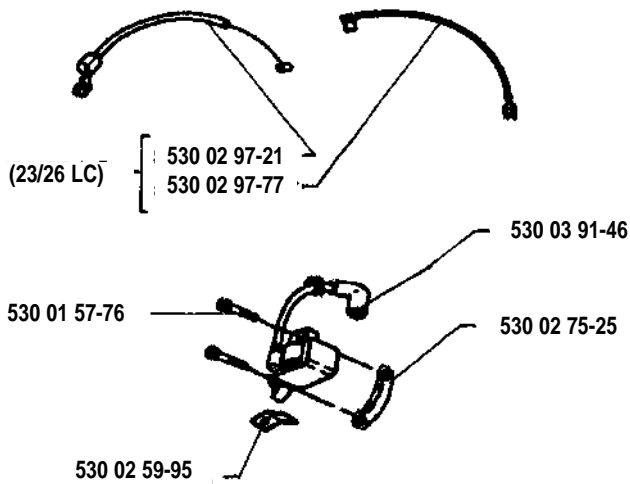


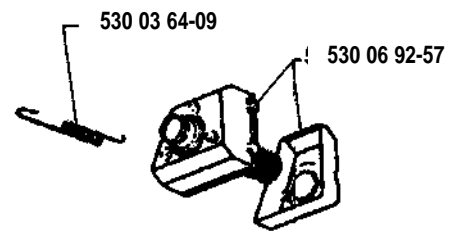
A



B

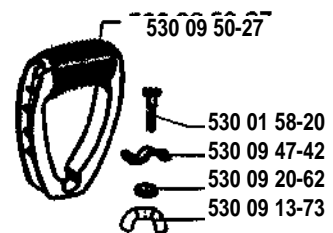


F



K

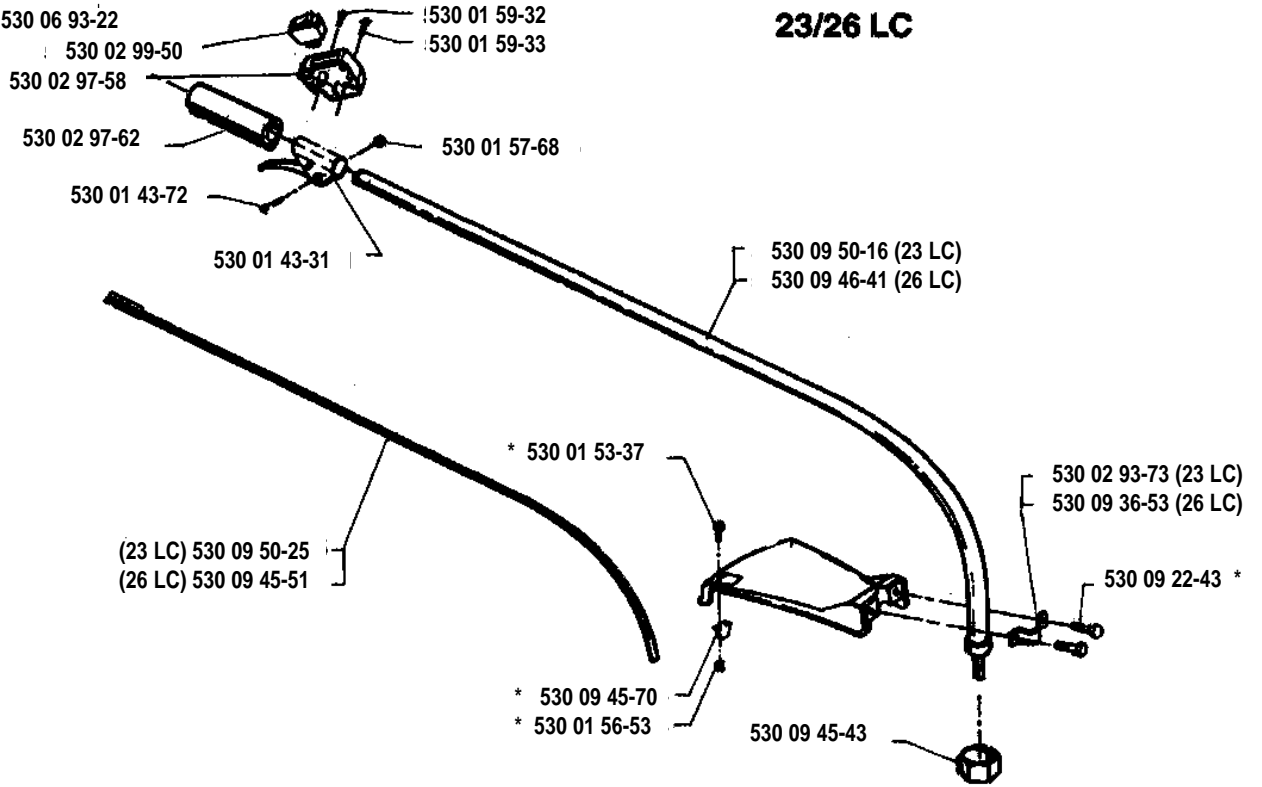
23 LC



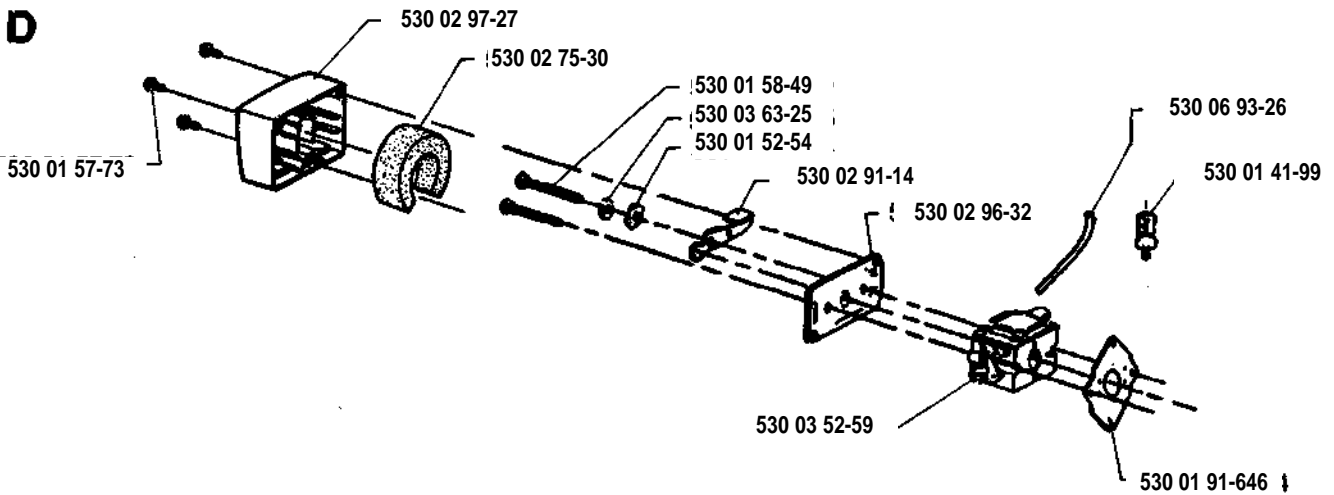
C

* compl 530 06 93-22

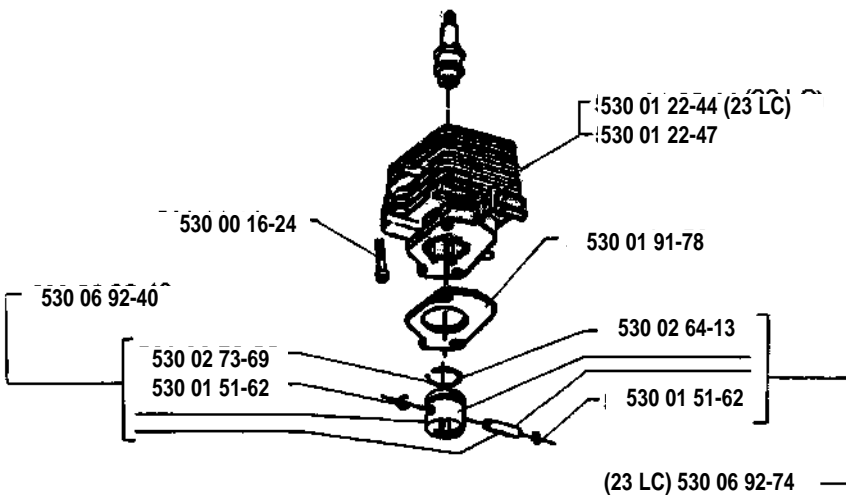
23/26 LC



D



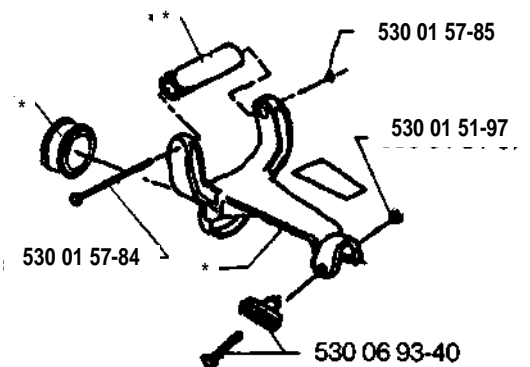
E

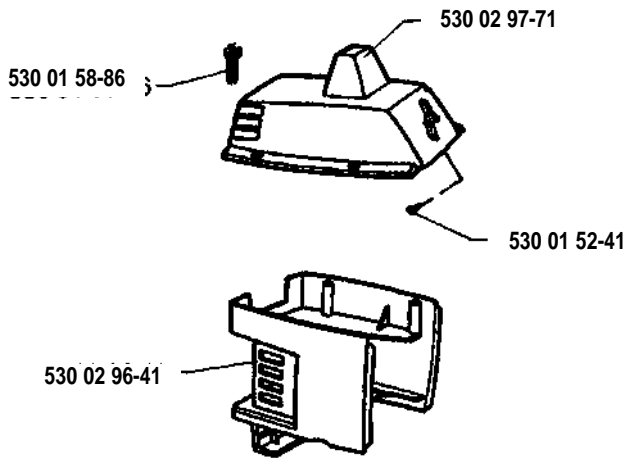
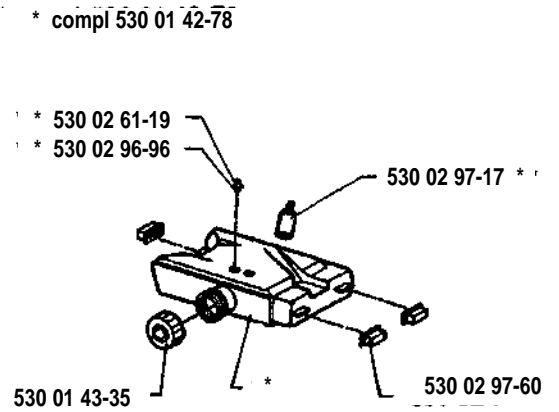
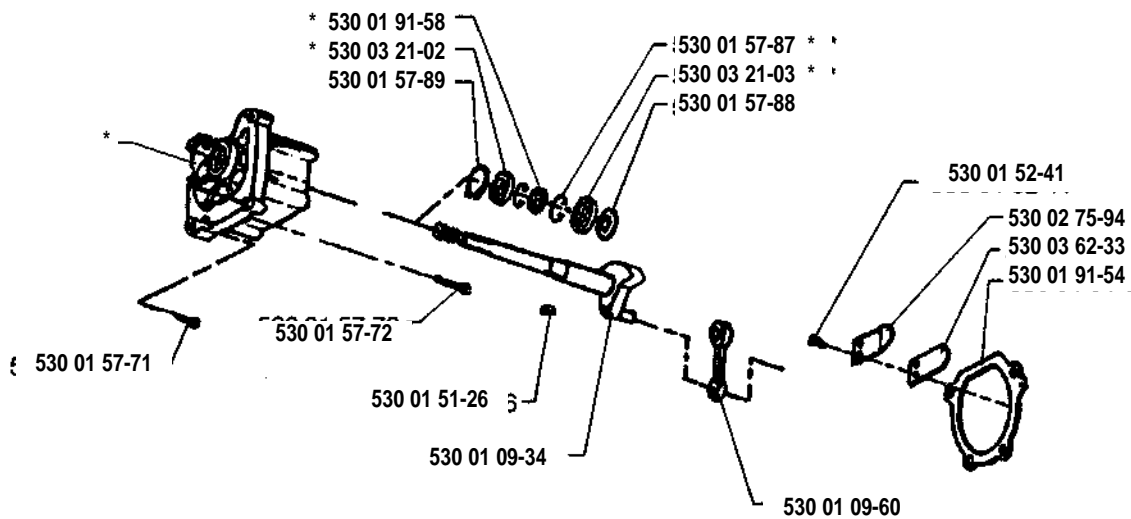


L

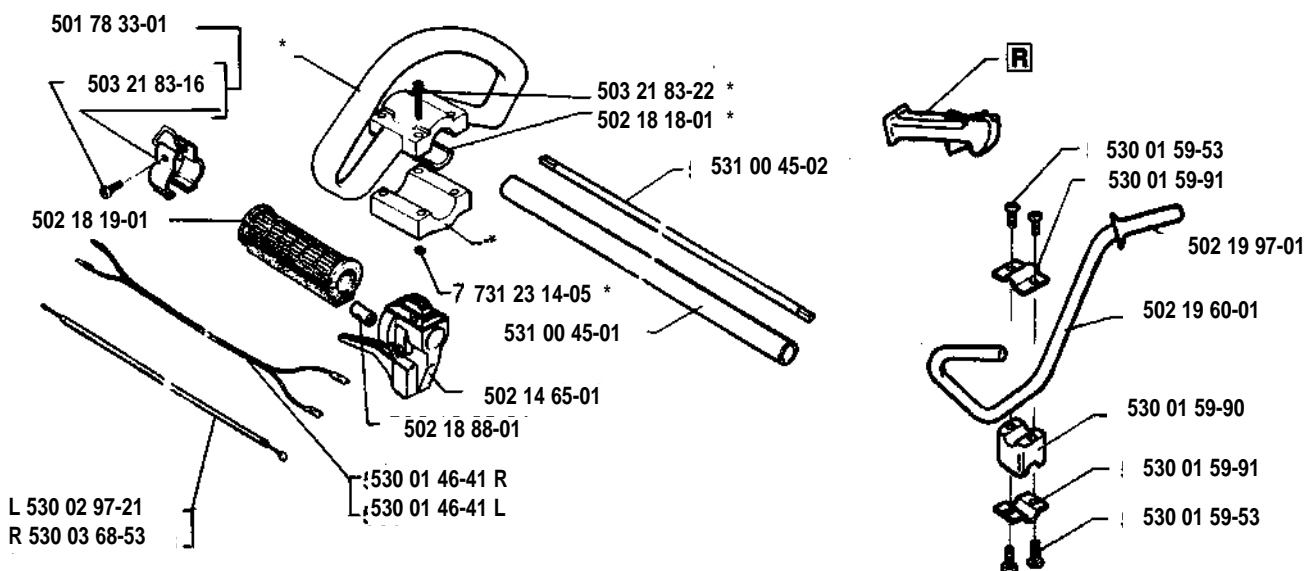
* compl 530 09 50-34

26 LC



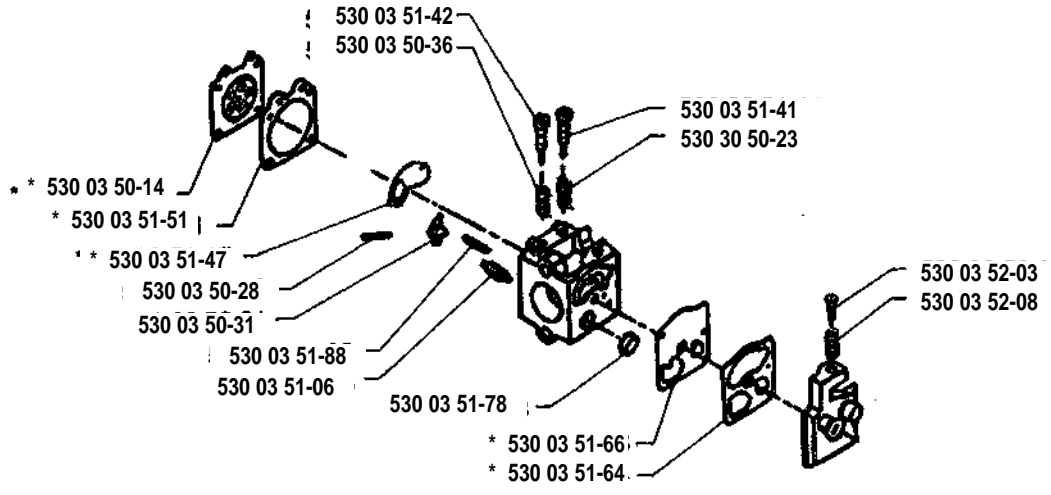
G**H****J** * compl 530 01 40-16**N**

* compl 502 18 14-01

26 L/R

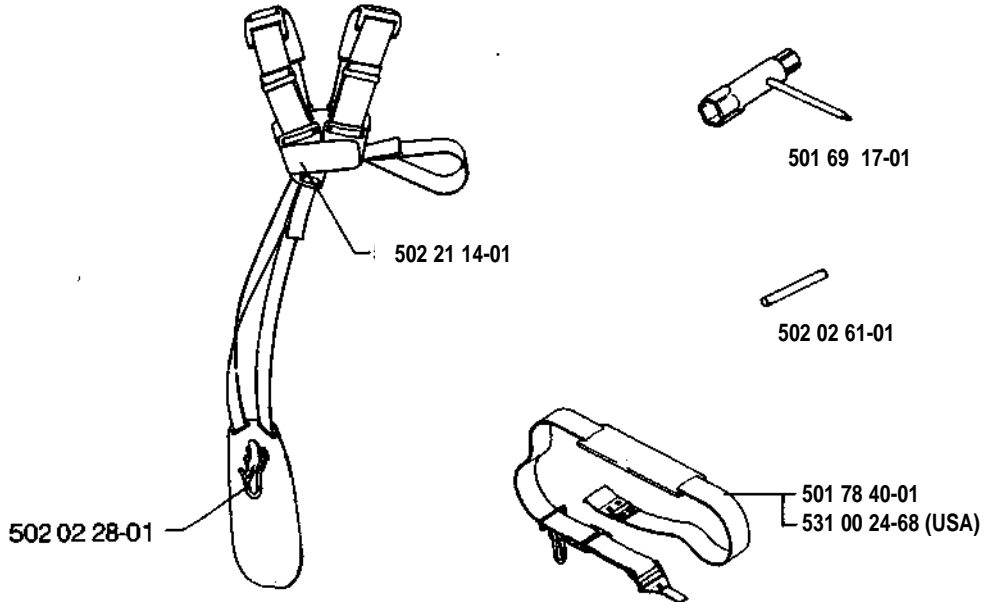
M

* compl 530 03 51-85



P

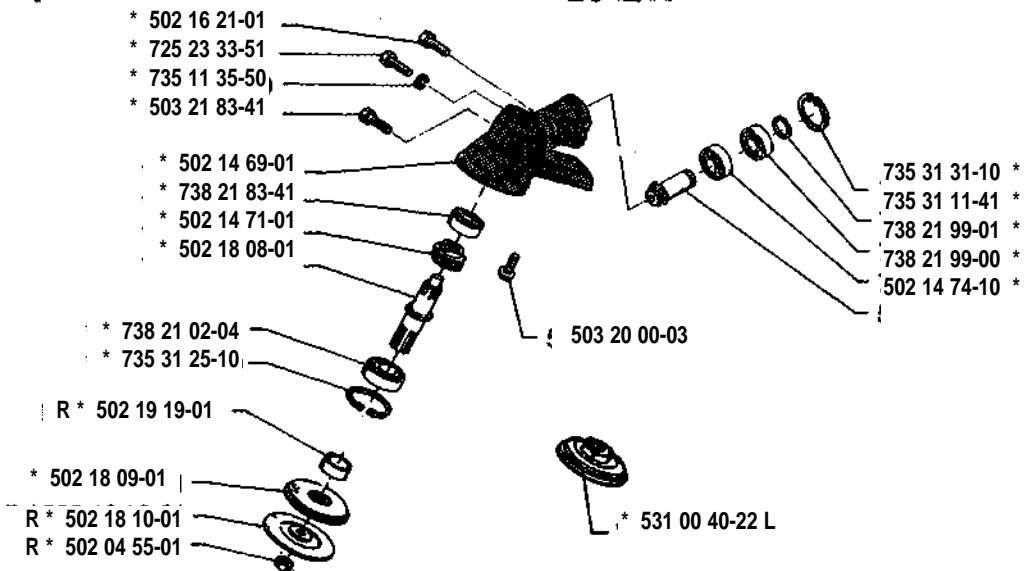
compl 502 21 17-01
compl 502 21 17-02 (USA)



Q

* compl 502 19 18-01

26 L/R



R

